

Spring finger contacts are used for grounding and dynamic connections on electronic assemblies.

These spring finger contacts (SMT) are designed to withstand tens of thousands of compression cycles. They are widely used for connections on automotive projects for example. These spring finger contacts are delivered in reel for automatic SMT assembly.

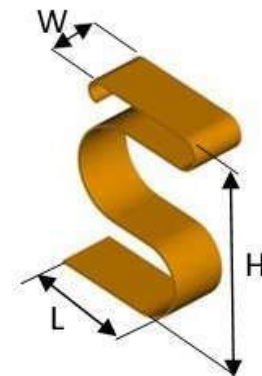
We provide compression rates and associated forces for each spring finger contact on request. Recommended compression is 20% to 40% of the overall contact height.

Spring finger contacts (SMT) can be standard (see our catalog below) or tailor-made.

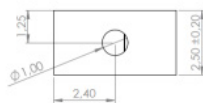


PRODUCT SPECIFICATIONS

PROPERTY	VALUE TOLERANCE
Thickness	0,10mm
Width	2,00 mm \pm 0,2
Length	4,50 mm \pm 0,2
Height	7,00 mm \pm 0,2
Basic material	Copper beryllium (CuBe)
Plating	Barrier layer NI Outer layer AU
	1,27 μ m - 3,05 μ m 0,025 μ m - 0.075 μ m

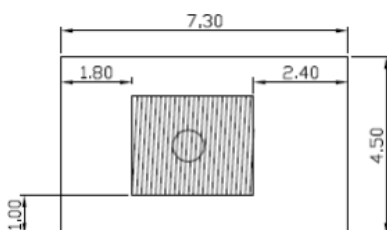


DIMENSIONS (mm)

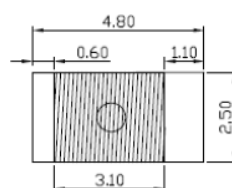


RECOMMENDED RESERVED AREA & PAD FOR THE PCB (mm)

RECOMMENDED RESERVED AREA ON THE PCB (mm)



RECOMMENDED PAD FOR THE PCB (mm)



DISCLAIMER

This is only a recommendation based on information available to COMPELMA at the time of printing. Actual land pattern can be significantly different due to various materials and processes used in PCB assembly. COMPELMA makes no representation or warranty of performance based on the recommended land pattern.

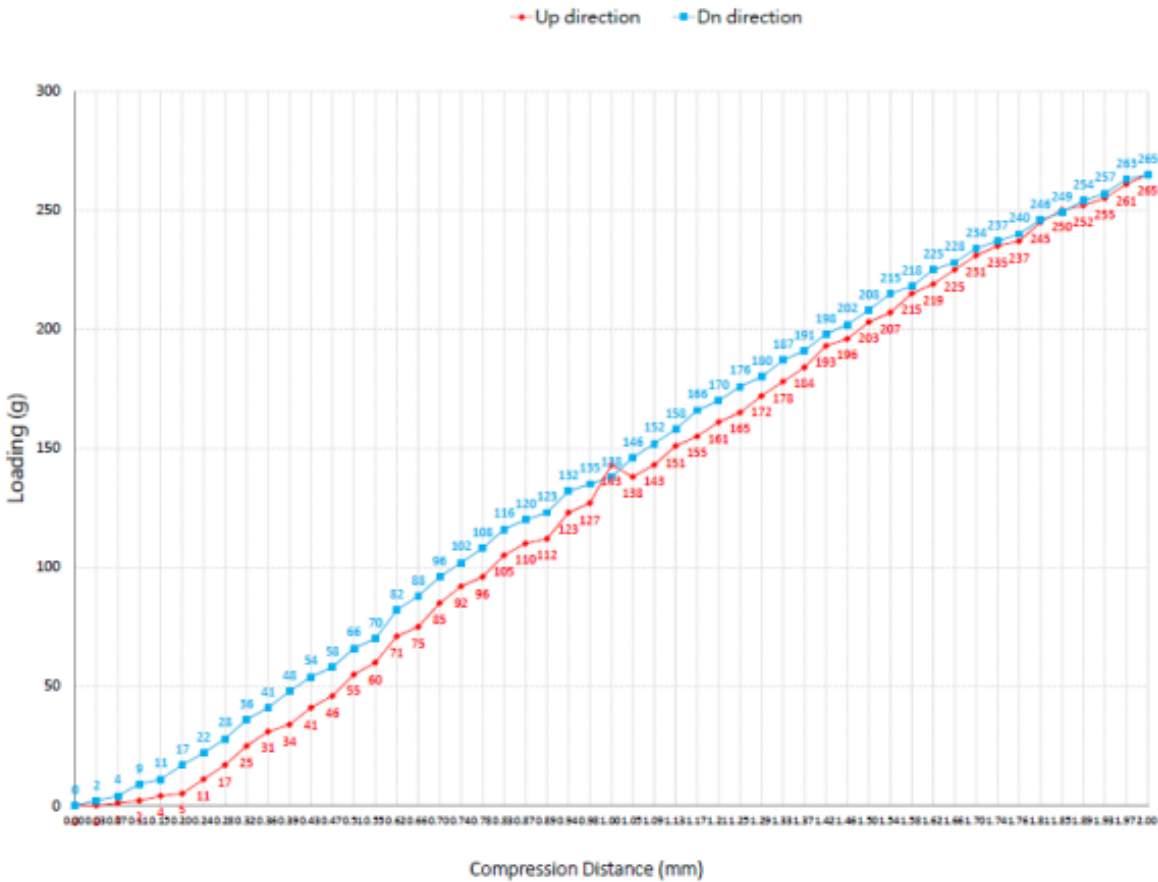
BUILDING AN ITEM NUMBER

OTG 20 45 070

① ② ③ ④

- ① Contact Spring
- ② Width (ex : 1,5mm = 15)
- ③ Length (ex : 2,5mm = 15)
- ④ Height (ex : 85mm = 085)

FORCE DEFLECTION DIAGRAM.



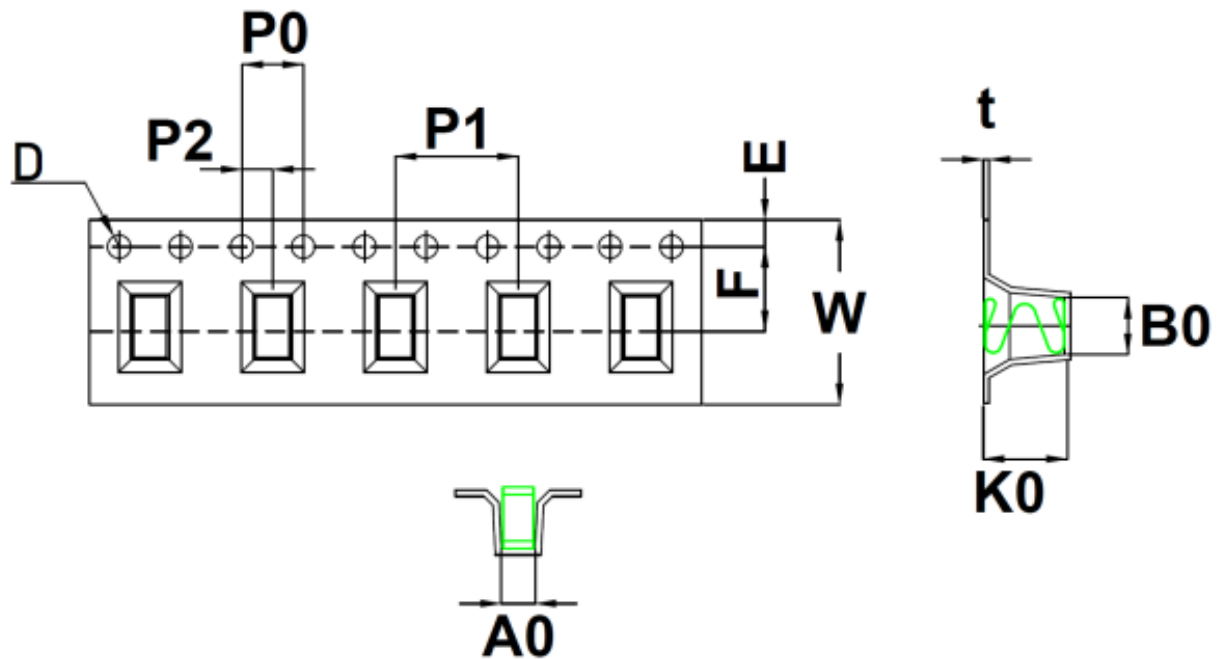
Total Compression Distance(mm)			2.00	
Displacement (mm)	Loading force(g)			
	Down direction	UP direction		
0	0	0		
0.03	2	0		
0.07	4	1		
0.11	9	2		
0.15	11	4		
0.2	17	5		
0.24	22	11		
0.28	28	17		
0.32	34	25		
0.36	41	31		
0.39	48	34		
0.43	54	41		
0.47	58	46		
0.51	64	55		
0.55	70	60		
0.62	82	71		
0.66	88	78		
0.7	94	85		
0.74	100	92		
0.78	106	96		
0.83	114	105		
0.87	120	110		
0.89	123	112		
0.94	132	123		
0.98	135	127		
1	138	143		

Total Compression Distance(mm)			2.00	
Displacement (mm)	Loading force(g)			
	Down direction	UP direction		
1.05	146	138		
1.09	152	143		
1.13	158	151		
1.17	164	155		
1.21	170	161		
1.25	176	165		
1.29	180	170		
1.33	187	176		
1.37	191	184		
1.42	198	193		
1.46	202	195		
1.5	208	203		
1.54	215	207		
1.58	218	216		
1.62	225	219		
1.66	228	225		
1.7	234	231		
1.74	237	235		
1.76	240	237		
1.81	246	245		
1.85	249	250		
1.89	254	252		
1.93	257	255		
1.97	263	261		
2	265	265		

NOTE

*Only valid for gold plated version

PACKING SPECIFICATION TAPE & REEL (mm)



	W	A ₀	B ₀	K ₀	P ₁	F	E	D	P ₀	P ₂	T
	16,00	2,80	5,00	7,30	8,00	7,50	1,75	∅ 1,50	4,00	2,00	0,50
Tolerance	±0,30	±0,10	±0,10	±0,10	±0,10	±0,10	±0,10	+0,10 -0,00	±0,10	±0,10	±0,03

- 10 sprocket hole pitch cumulative tolerance + 0,20 mm.
- Carrier camber not to exceed 1mm in 250 mm.
- A₀ and B₀ measured on a plane 0.3mm above the bottom of the pocket.
- K₀ measured from a plane on the inside bottom of pocket to the top surface of the carrier.
- All dimensions meet EIA-481-B requirements
- Material : Clear non anti-static polystyrene.
- Component load per 13" reel : 1000 pcs.